



# GR1805T3

## MOTOR GRADER

平地机

The GR1805T3 motor grader is mainly used for ground leveling, ditching, slope scraping, bulldozing, scarification, snow removal for large areas such as highway, airports, farmlands etc. It is the necessary construction machinery for national defense construction, mine construction, urban and rural road construction and water conservancy construction, farmland improvement and so on.

GR1805T3平地机主要用于公路、机场、农田等大面积的地面平整和挖沟、刮坡、推土、松土、除雪等作业。是国防工程、矿山建设、城乡道路等建筑施工和水利建设、农田改良等所必须的工程机械。

## Performance Characteristics / 性能特点

- Adopt load sensing hydraulic system with little operating force, excellent operating feeling and sensitive reaction.
- Adopt engine variable power control technology to save more energy.
- Adopt intelligent fan control technology. Fan speed can change with system temperature monitored in real time, thereby realizing low energy consumption and low noise.
- Adopt reinforced drive axle to realize long service life and higher reliability.
- Adopt full-view cab to get better forward view; optimize interior operation and overall layout to meet man-machine engineering demands and get higher comfort level.
- Integrally design air conditioning duct and cab trimming to get more attractive appearance and better air conditioning effect.
- Adopt advanced shock absorption and noise reduction technology to realize low machine noise.
- Adopt integrated corner gauge, high strength slewing bearing and overload protection worm gear case to make working device have higher reliability.
- Optimize overall layout to realize ground oiling, optimized maintenance points layout and more convenient maintenance.
- 采用负荷传感液压系统，操纵力小，操纵感好，系统反应灵敏。
- 采用发动机变功率控制技术，更加节能。
- 采用智能风扇控制技术，风扇转速可根据实时监测的系统温度而变化，能耗低、噪音小。
- 采用加强型驱动桥，使用寿命长，可靠性更高。
- 采用全视野驾驶室，前视野更好，优化内部操纵及内部整体布局，满足人机工程需求，舒适度更高。
- 空调风道与驾驶室内饰集成化设计，更加美观，空调效果更佳。
- 采用先进的减震降噪技术，整机噪声小。
- 采用整体式角位器、高强度回转支承与过载保护蜗轮箱，工作装置可靠性更高。
- 优化整机布置，实现地面加注燃油，维护及保养点的优化布置，使维护更便捷。

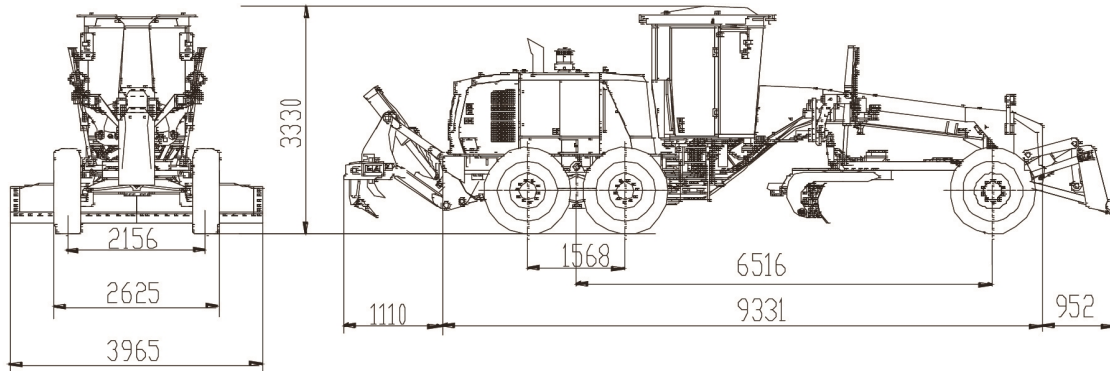
# GR1805T3

# MOTOR GRADER

平地机

## Main Dimensions

主要尺寸



## Main Specifications

主要技术参数

	Item	项目	单位 Unit	GR1805T3	
<b>Basic parameters</b> 基本参数	Engine type	发动机型号		WP6G190E330/SC7H190	
	Rated power/Speed	额定功率/转速	kW/rpm	140/2200	
	Machine dimension (standard)	整机外型尺寸 (标配)	mm	9331 × 2625 × 3330	
	Machine weight (standard)	整机重量 (标配)	kg	16000	
	Tyre specification	轮胎规格		17.5-25	
	Ground clearance (Front axle)	离地间隙 (前桥)	mm	/	
	Wheel base	轮距	mm	2156	
	Axle distance between front and rear	前后桥距	mm	6516	
Wheel base between middle and rear	中后轮距	mm	1568		
<b>Performance parameters</b> 性能参数	Forward speed	前进速度	km/h	5、8、13、18、30、47	
	Rearward speed	后退速度	km/h	5、13、30	
	Traction force f=0.75	牵引力f=0.75	kN	83	
	Maximum gradeability	最大爬坡能力	%	≥25	
	Inflation pressure of tire	轮胎充气压力	kPa	260	
	Work system pressure	工作系统压力	MPa	24.5	
	Transmission pressure	变速箱压力	Mpa	1.85—2.2	
<b>Working parameters</b> 工作参数	Maximum steering angle of front wheel	前轮最大转向角	°	±48	
	Allowable angle of inclination of front wheel	前轮最大倾斜角	°	±18	
	Maximum swinging angle of front axle	前桥最大摆动角	°	±16	
	Maximum swinging angle of balance box	平衡箱最大摆动角	°	±15	
	Maximum steering angle of frame	车架最大转向角	°	±20	
	Minimum turning radius	最小转弯半径	m	7.2	
	<b>Blade</b>	Maximum lifting height	最大提升高度	mm	450
		Maximum shoveling depth	最大铲土深度	mm	715
		Maximum lateral inclination angle	最大侧倾角度	°	90
		Cutting angle	切削角	°	Front 15, rear 15
Slewing angle		回转角	°	/	
Length × chord height		长度×弦高	mm	3965X610	
<b>Oil filling amount</b> 加注油量	Coolant	冷却液	L	50	
	Fuel tank	燃油箱	L	380	
	Engine	发动机	L	24	
	Transmission	变速箱	L	38	
	Equilibrium box (left and right)	平衡箱	L	120	
	Drive axle	驱动桥	L	36	
	Hydraulic oil	液压油	L	270	



Machmall.com is an electromechanical product platform officially launched by XCMG, aiming to provide global customers with a complete set of high-quality construction machinery solutions and supporting equipment.


Xuzhou Construction Machinery Group Co., Ltd. (XCMG Group), founded in 1943, is the fourth largest worldwide construction machinery manufacturer and the largest in China with products covering 183 countries and regions.

XCMG have 12 complete solutions:Crane lifting,Mining Construction,Earth-moving Solutions,Road Machinery,Concrete Equipment,Tunnel and Underground Space Construction,Mobile Elevating Work Platform (MEWP),Piling and Non-excavation Equipment,Transportation Equipment, Environmental Sanitation Equipment,Firefighting,Safety and Emergency Rescue



 <https://www.machmall.com/>

 [machmall@xcmg.com](mailto:machmall@xcmg.com)

 0086 18652183963  
86-516 8773 9797